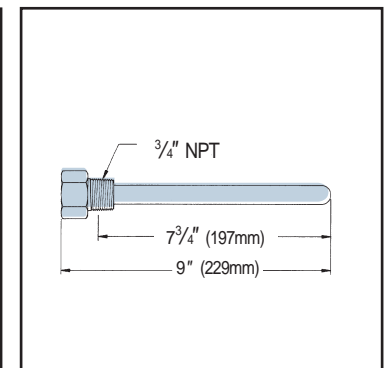
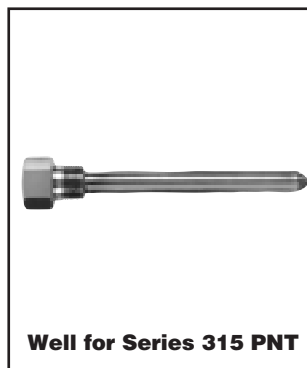
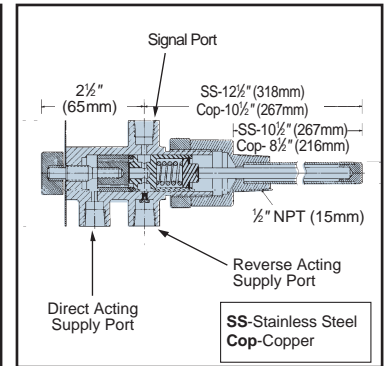
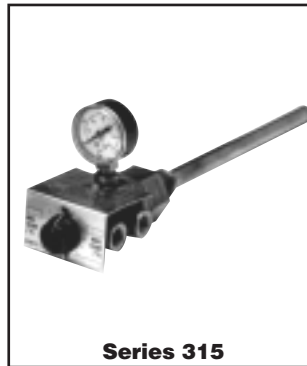


Pneumatic Temperature Control Pilots

Series 315 PNT For Shop Quality Air

The Series 315 PNT Pneumatic Temperature pilots are designed for applications such as refineries and factories, or others where rapidly changing load requirements occur. Pneumatic temperature pilots provide greater accuracy than self-contained temperature pilots. **An Air Pressure Pilot, an Air PRV Regulator and a Series 2000 Main Valve Steam Regulator must be used with the Model 315 PNT.**

- Lightweight, compact size prevents strain on mounting pipes
- Can be remotely located from the Main Valve and Air Pressure Pilot
- Bi-metallic temperature sensing
- Bulb options:
 - Brass
 - Teflon® coated brass
 - Stainless Steel
- Direct or reverse acting modes of operation
- Optional wells (for brass bulb models only) allow bulb removal without draining system
- Air Consumption 0.50 scfm (.014m³)
- Supply Air Pressure
 - Nominal 18 psig (1.2 bar)
 - Minimum 12 psig (0.8 bar)
 - Maximum 36 psig (2.4 bar)
- Signal pressure at set-point temperature
 - 50% of supply pressure
 - 9 psig (0.6 bar) at nominal supply pressure
 - 6 psig (0.4 bar) at minimum supply pressure
 - 18 psig (1.2 bar) at maximum supply pressure
- Temperature Control Range
 - 50-300°F (10-149°C)
 - 200-450°F (93-232°C)
- Accuracy of control ± 4°F (± 2.2°C) with system recirculation



Ordering Information

Pneumatic Temperature Pilot

Model Number	Part Number	Temperature Range °F (°C)	Weight (Approx.) lbs. (kg)
315 Brass	402967	50-300 (10-149)	3 (1.4)
315 Teflon coated Brass	402970	50-300 (10-149)	3 (1.4)
315 Stainless Steel	402973	50-300 (10-149)	3 (1.4)
315 Stainless Steel	400461	200-450 (90-232)	3 (1.4)

Wells (Only for use with Model 315 with a brass bulb)

Model Number	Part Number	Weight (Approx.) lbs. (kg)
Well, Brass	400400	2 (.9)
Well, Teflon coated Brass	400463	2 (.9)
Well, Stainless Steel	403803	2 (.9)

Refer to Ordering Information on:
 – Air Pressure Control Pilots
 – Air PRV Regulators