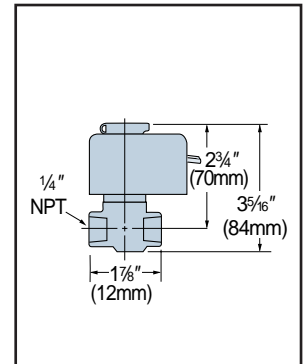


Series SLD Solenoid Pilots

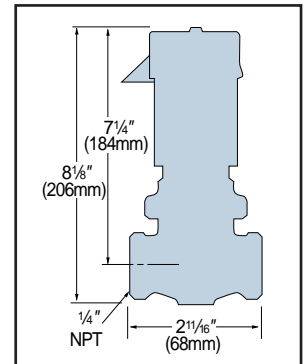
Solenoid pilots are used with other pilots for overrides in domestic hot water or safety applications. The “Normally Closed” Solenoid pilots are designed to shut down the Main valve if there is a power failure.

“Normally Open” Solenoid pilots are designed for heating, or other applications where overheating will not be harmful, since they remain open during a power failure.

- Remote control
- Emergency shut-down feature
- Automatic start-up and shut-down capability (timer required)
- More economical to use than electric shut-off valves
- Operating modes
 - Normally Open
 - Normally Closed
- 120 volt electrical service required
- Maximum operating pressure 250 psig (17.3 bar)



⚠ WARNING	
	<p>Do not use “Normally Open” Solenoid pilots for direct temperature control in domestic water applications. Failure to follow this warning can cause serious burns, personal injury, or death.</p>



Ordering Information

Model Number	Part Number	Operating Mode	Inlet Pressure Operating Range psig (bar)		Weight (Approx.) lbs. (kg)
SLD-100	402247	Normally Open	0-100	(0-6.9)	1 1/2 (.68)
SLD-250	402259	Normally Open	0-250	(0-17.3)	6 (2.7)
SLD-100	402255	Normally Closed	0-100	(0-6.9)	1 1/2 (.68)
SLD-250	402258	Normally Closed	0-250	(0-17.3)	6 (2.7)