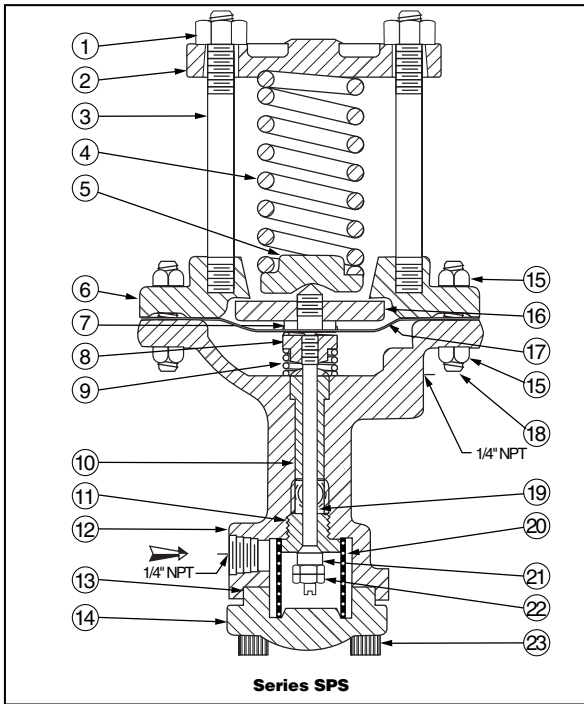




**Series SPS Spring Pressure Control Pilots
For Series 2000 Regulators**



Pilot Contents

Item	Description
1	Adjusting Nut
2	Spring Yoke
3	Standard
4	Adjusting Spring
5	Spring Button
6	Cowl
7	* Diaphragm Screw
8	* Pusher Plate
9	* Valve Spring
10	Bushing
11	* Seat Ring
12	Body, Bushing, Plug
13	* Gasket
14	Blind Flange
15	Diaphragm Nut
16	* Pressure Plate
17	* Diaphragm
18	Diaphragm Bolt
19	* Stem
20	* Screen
21	* Disc
22	* Stem Nut
23	Blind Flange Bolt

Part Number	Description
600325	SPS Adjusting Spring - 2 - 30 psig Blue
600326	SPS Adjusting Spring - 5 - 60 psig Red
600327	SPS Adjusting Spring - 20 - 175 psig Gold
600329	2000 SPS Repair Kit (incl. 7,8,9,11,13,16,17,19 thru 22)

Pressure Range psig (bar)	Spring Color	Wire Diameter in. (mm)
2-30 (0.1-2.0)	Blue	3/16 (4)
5-60 (0.3-4.1)	Red	1/4 (6)
20-175 (1.4-11.9)	Gold	11/32 (9)

Item	* SPS Repair Kit Consists of:
7	Diaphragm Screw (1)
8	Pusher Plate (1)
9	Valve Spring (1)
11	Seat Ring (1)
13	Gasket (1)
16	Pressure Plate (1)
17	Diaphragm (3) (use only 2 pcs on SPS-30 and SPS-60)
19	Stem (1)
20	Screen (1)
21	Disc (1)
22	Stem Nut (2)