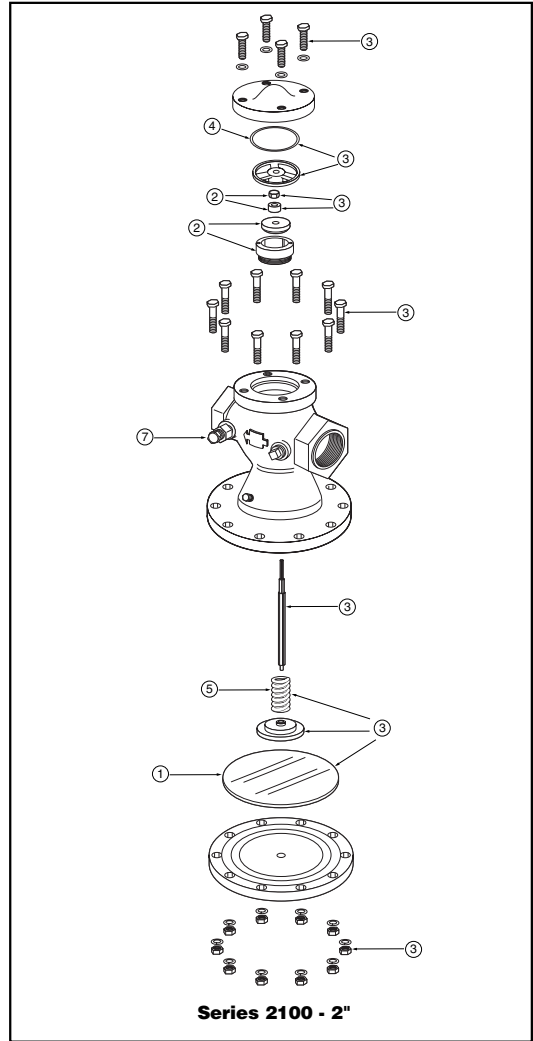
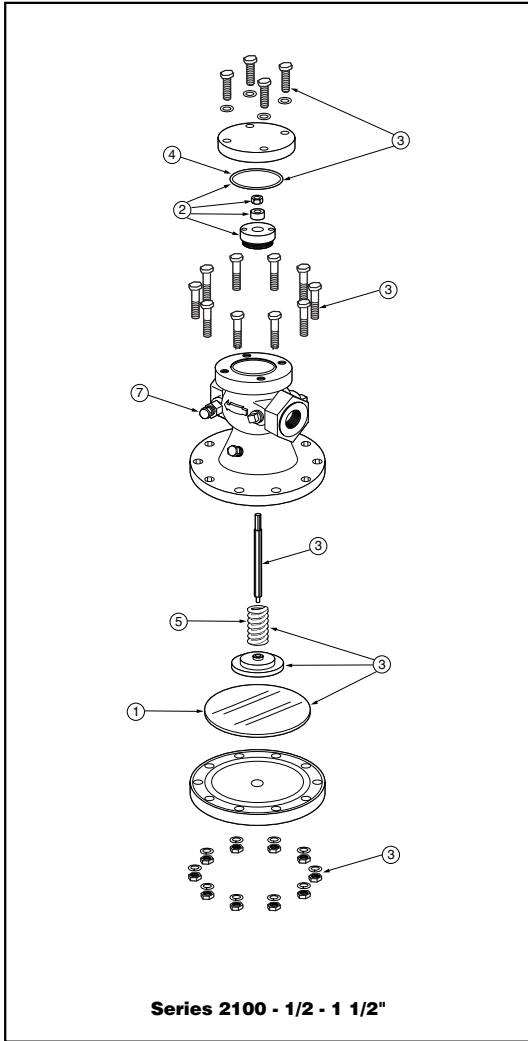




Pressure/Temperature Regulators, Pilot-Operated
Series 2100 Main Valve



Service Kit Contents

Item	Description
1	Diaphragms
2	Plug & Seat Kit
3	Rebuild Kit
4	Cover Gasket
5	Spring
6	Seat Tool (to remove seat from main valve body)
7	Bleed Orifice

**Pressure/Temperature Regulators, Pilot-Operated
Series 2100 Main Valve with Threaded NPT Connections****Ordering Information**

Model Number	NPT	Item 1 Diaphragms Part Number	Item 2 Plug and Seat Part Number	Item 3 Rebuild Kit Part Number	Item 4 Cover Gasket Part Number	Item 5 Spring Part Number	Item 6 Seat Tool Part Number	Item 7 Bleed Orifice Part Number
2100FP	½	600202	699930	699929	602240	600089	601232	600215
2100NP	½	600202	699931	699929	602240	600089	601232	600215
2100RP	½	600202	699932	699929	602240	600089	601232	600215
2100FP	¾	600202	699933	699929	602240	600089	601232	600215
2100NP	¾	600202	699934	699929	602240	600089	601232	600215
2100RP	¾	600202	699930	699929	602240	600089	601232	600215
2100FP	1	600202	699936	699929	602240	600089	601232	600215
2100NP	1	600202	699933	699929	602240	600089	601232	600215
2100RP	1	600202	699934	699929	602240	600089	601232	600215
2100FP	1¼	602233	699940	699939	600020	600079	601230	600215
2100NP	1¼	602233	699941	699939	600020	600079	601230	600215
2100RP	1¼	602233	699942	699939	600020	600079	601230	600215
2100FP	1½	602233	699943	699939	600020	600079	601230	600215
2100NP	1½	602233	699940	699939	600020	600079	601230	600215
2100RP	1½	602233	699941	699939	600020	600079	601230	600215
2100FP	2	602217	699947	699946	600023	601089	601230	600215
2100NP	2	602217	699943	699946	600023	601089	601230	600215
2100RP	2	602217	699940	699946	600023	601089	601230	600215

Model Number	NPT	Item 1 Diaphragms Part Number	Item 2 Plug and Seat Part Number	Item 3 Rebuild Kit Part Number	Item 4 Cover Gasket Part Number	Item 5 Spring Part Number	Item 6 Seat Tool Part Number	Item 7 Bleed Orifice Part Number
2150	¾	699970	699933	699967	602240	600077	601232	600215
2150	1	699970	699969	699967	602240	600077	601232	600215
2150	1¼	600406	699943	699971	600020	600409	601230	600215
2150	1½	600406	699973	699971	600020	600409	601230	600215
2150	2	699976	699975	699974	600023	600080	600135	600215