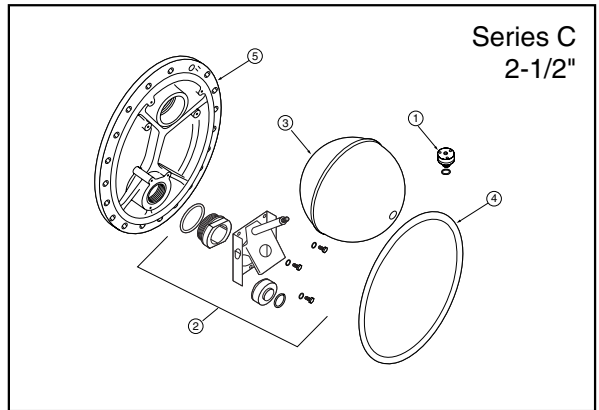
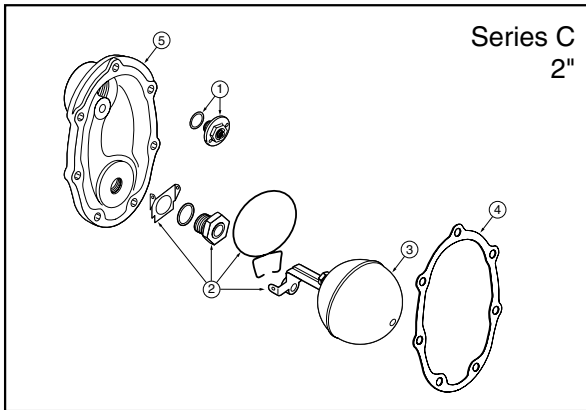
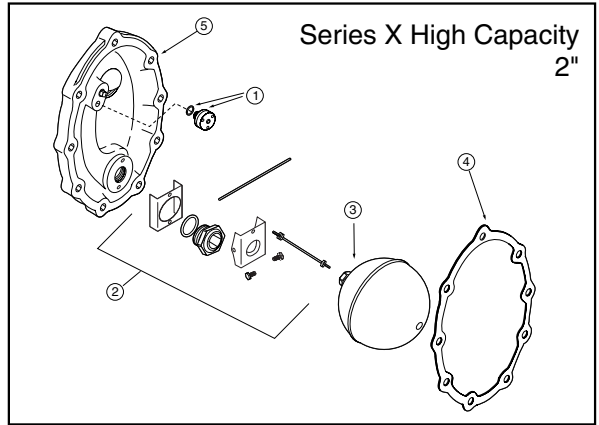
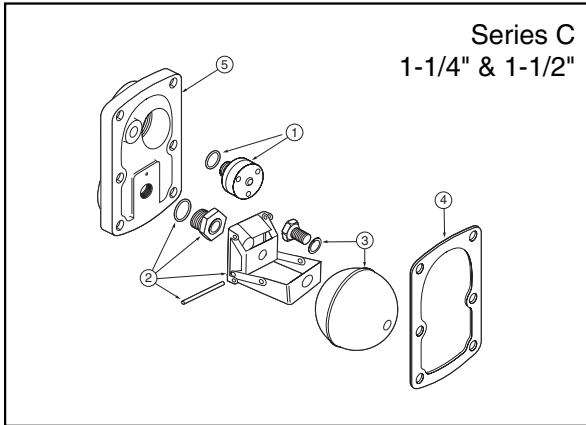




Float and Thermostatic Steam Traps

Series C & X BEARTRAP®



Item	Description
1	Thermostat assembly
2	Float lever, mounting pin and yoke, valve pin and seat
3	Float ball (mounting screw and washer included)
4	Cover gasket
5	Cover casting

**Float and Thermostatic Steam Traps****Series C & X BEAR TRAP® (cont'd)****Ordering Information**

Model Number *	NPT	Pressure psi (bar)	Style	Cover Assembly (Includes Items 1-5) Part Number	Item 1 Thermostat Part Number	Item 2 Lever and Valve Assembly Part Number	Item 3 Float Ball Part Number	Item 4 Cover Gasket Part Number	Item 5 Cover Casting Part Number
FT015C-6	1½	15 (1.0)	C	604011	601111	604025	604032	604031	N/A
FT015C-8	2	15 (1.0)	C	N/A	601111	604033	601261	699853	604041
FT015X-8	2	15 (1.0)	X	N/A	699854	604034	601335	699852	604042
FT015C-10	2½	15 (1.0)	C	N/A	699854	604035	699855	699851	604040
FT030C-6	1½	30 (2.0)	C	604012	699854	604026	604032	604031	N/A
FT030C-8	2	30 (2.0)	C	N/A	699854	699867	601261	699853	604041
FT030X-8	2	30 (2.0)	X	N/A	699854	699863	601335	699852	604042
FT030C-10	2½	30 (2.0)	C	N/A	699854	699859	699855	699851	604040
FT075C-5	1¼	75 (5.1)	C	604008	699854	604027	604032	604031	N/A
FT075C-6	1½	75 (5.1)	C	604013	699854	604027	604032	604031	N/A
FT075C-8	2	75 (5.1)	C	N/A	699854	699866	601261	699853	604041
FT075X-8	2	75 (5.1)	X	N/A	699854	699862	601335	699852	604042
FT075C-10	2½	75 (5.1)	C	N/A	699854	699858	699855	699851	604040
FT125C-5	1¼	125 (8.5)	C	604009	699854	604028	604032	604031	N/A
FT125C-6	1½	125 (8.5)	C	604014	699854	604028	604032	604031	N/A
FT125C-8	2	125 (8.5)	C	N/A	699854	699865	601261	699853	604041
FT125X-8	2	125 (8.5)	X	N/A	699854	699861	601335	699852	604042
FT125C-10	2½	125 (8.5)	C	N/A	699854	699857	699855	699851	604040
FT175C-5	1¼	175 (11.9)	C	604010	699854	604029	604032	604031	N/A
FT175C-6	1½	175 (11.9)	C	604015	699854	604029	604032	604031	N/A
FT175C-8	2	175 (11.9)	C	N/A	699854	699864	601261	699853	604041
FT175X-8	2	175 (11.9)	X	N/A	699854	699860	601335	699852	604042
FT175C-10	2½	175 (11.9)	C	N/A	699854	699856	699855	699851	604040

* "J" Suffix at end of model number indicates BSPT threads