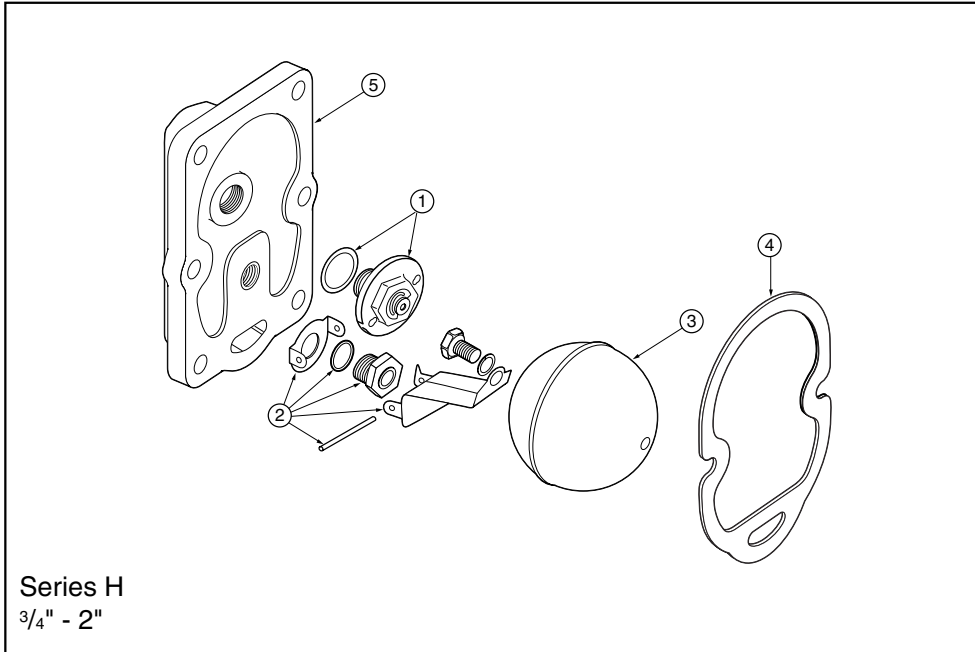




Float and Thermostatic Steam Traps Series H



Ordering Information

Model Number *	NPT	Pressure psi (bar)	Cover Assembly (Includes Items 1 - 5) Part Number	Item 1 Thermostat Part Number	Item 2 Lever & Valve Assembly Part Number	Item 3 Float Ball Part Number	Item 4 Cover Gasket Part Number	
							Qty. (1)	Qty. (10)
FT015H-3,-4	3/4, 1	15 (1.0)	604001	601111	604019	601252	604030	600245
FT015H-5	1 1/4	15 (1.0)	604006	601111	604024	601252	604030	600245
FT015H-6	1 1/2	15 (1.0)	601120	601111	601201	601258	601270	N/A
FT015H-8	2	15 (1.0)	601123	601111	601204	601261	600345	N/A
FT030H-3,-4	3/4, 1	30 (2.0)	604002	699854	604020	601252	604030	600245
FT030H-5	1 1/4	30 (2.0)	604007	699854	604019	601252	604030	600245
FT030H-6	1 1/2	30 (2.0)	601138	699854	601213	601258	601270	N/A
FT075H-3,-4	3/4, 1	75 (5.1)	604003	699854	604021	601252	604030	600245
FT125H-3,-4	3/4, 1	125 (8.5)	604004	699854	604022	601252	604030	600245
FT175H-3,-4	3/4, 1	175 (11.9)	604005	699854	604023	601252	604030	600245

Note: For item 2, gasket is included only on 1 1/2" and 2" models.
 Item 3 includes mounting screw and washer.
 Cover casting only sold with Cover Assembly.

* "J" Suffix at end of model number indicates BSPT threads