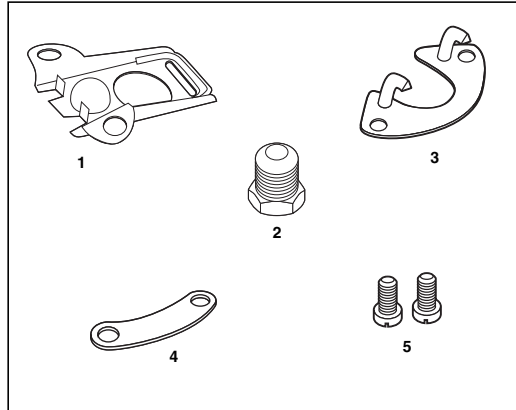




Inverted Bucket Steam Traps

Series B0 BEAR TRAP®



Service Kit Contents

Item	Description
1	Valve lever assembly
2	Valve seat
3	Guide pin assembly
4	Nameplate
5	Guide pin assembly screws

Ordering Information

Model Number	Seat Pressure psi (bar)	Service Kit* Part Number	Item 6 Bucket Kit Parts Part Number	Item 7 Strainer Kit Part Number	Item 8 Gasket Part Number
B0020	20 (1.4)	600350	600355	600356	600354
B0080	80 (5.5)	600351	600355	600356	600354
B0125	125 (8.6)	600352	600355	600356	600354
B0150	150 (10.3)	600353	600355	600356	600354

* Service Kit also fits the following steam traps:

Steam Trap Model Number	
Armstrong	800, 880
Spence/Nicholson	80, 80S