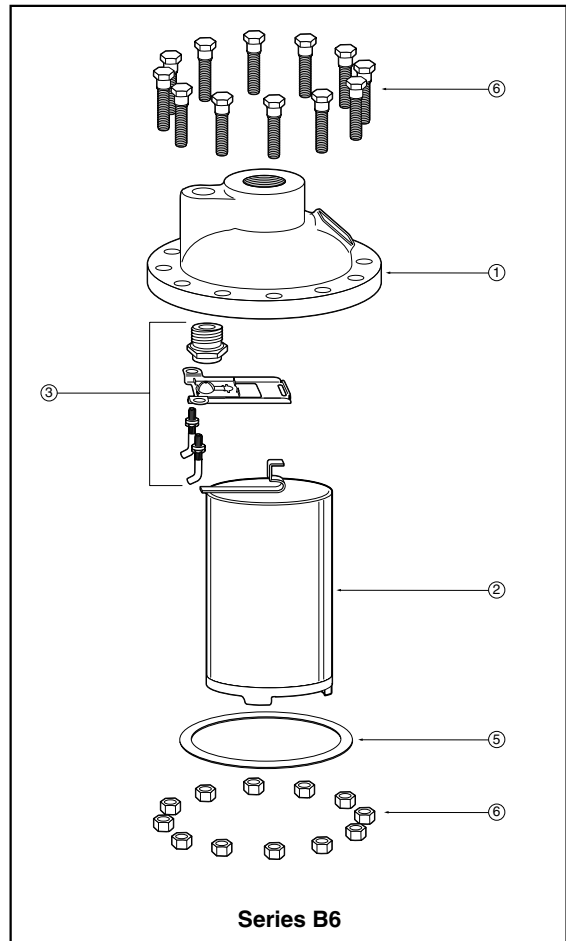




Inverted Bucket Steam Traps

Series B6 BEAR TRAP®

Item	Description
1	Cover (casting only)
2	Bucket kit
3	Internal parts (includes cover gasket, item 5)
5	Gasket
6	Cover bolt kit



Ordering Information

Model Number	Seat Pressure psi (bar)	NPT	Item 1 Cover Casting Part Number	Item 2 Bucket Kit Part Number	Items 3 and 5 Internal Parts Part Number	Item 5 Gasket Part Number	Item 6 Cover Bolt Kit Part Number
B6025A	25 (1.7)	1½	600184	600182	600200	601391	600242
B6025A	25 (1.7)	2	600185	600182	600200	601391	600242
B6040A	40 (2.7)	1½	600184	600182	600178	601391	600242
B6040A	40 (2.7)	2	600185	600182	600178	601391	600242
B6125A	125 (8.5)	1½	600184	600182	600179	601391	600242
B6125A	125 (8.5)	2	600185	600182	600179	601391	600242
B6250A	250 (17.0)	1½	600184	600182	600181	601391	600242
B6250A	250 (17.0)	2	600185	600182	600181	601391	600242